

Driving the cassette at 1.3 volts does not provide a sufficient voltage to overcome the 1.4 volt drop across diodes D9 and D10. The buzzer doesn't operate when loading or saving programs. However, if you leave the cassette connected and operate the buzzer at 3.3 volts, this sound will be recorded. Alternatively, connecting either the MIC (high impedance) or EAR (lower impedance) to the input to an audio amplifier will generate a high volume BEEP if you wish.

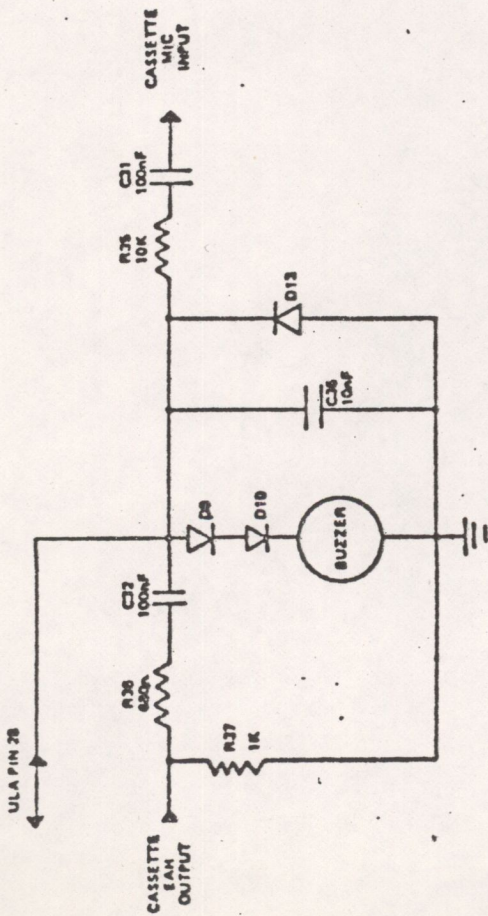


FIG 74 - CASSETTE INTERFACE AND BUZZER CIRCUIT